



广州恒宽机械有限公司

Canton Hostandard Machinery CO., LTD

www.pocket-spring.com

Email: hostandard@hotmail.com

Mob: 0086-133-1411-7277

Skype: northland99

床垫卷压包装机 Mattress roll-packing machine HS-MRP-25P

Photo Details



video weblink:<http://u.youku.com/northland99>

Technical Information:

Performance 生产效率

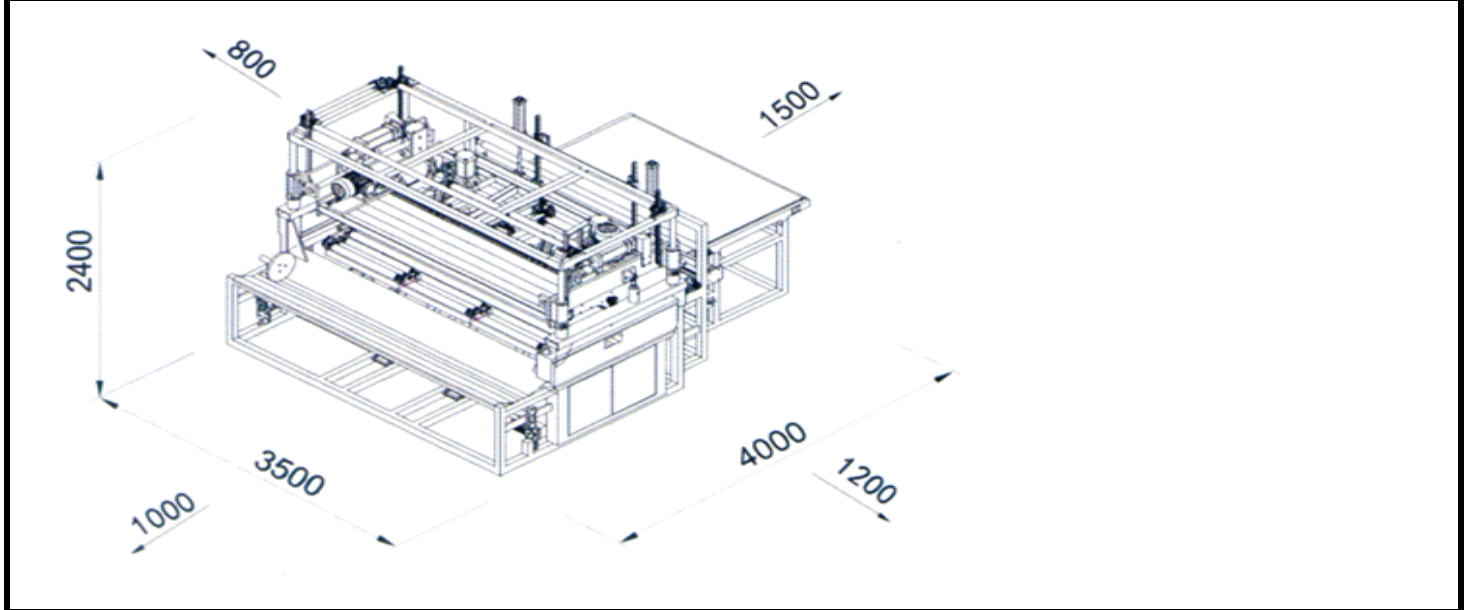
with plastic bag, roll-packing mattress(without frame) made of foam, latex foam, or pocket spring unit, etc. the volume became 5% to 10% after packing.

用于卷包无边框袋装弹簧床垫、海绵床垫、乳胶床垫；
卷包后的体积是原体积的5% 至10%.

production capacity		生产速度(秒/张)	40seconds/unit
Consumptive Material Specs 耗材参数			
Packing material 包装材料	Type	材质	PE film/PE膜
	Thickness	厚度	0.1mm
	Inner dia.of packing material	胶纸卷内径	Min/最小70mm
	Outside diameter of packing material	胶纸卷外径	Max/最大200mm
	Width of packing material	胶纸卷厚度	Max/最大2350mm
General Data 一般参数			
Mattress width		床垫高度	Max/最大2000mm
Mattress length		床垫长度	Max/最大2300mm
Mattress thickness		床垫厚度	Max/最大350mm
Diameter of finished roll		成品卷直径	Min/最小250mm

Air consumption		气源需求量	Approx/约18m³/h 0.7mpa
Air pressure		工作气压	0.6-0.7mpa
Power consumption in total		总功率	10w
Power requirements 输入电源需求	Voltage	电压	3AC 380V
	Frequency	频率	50/60Hz
	Input fuse	保险丝	25A
	Cable section	输入电缆	4×10mm²
Working temperature		工作温度	+5℃—+45℃
Weight		重量	Approx/约4500kg

Footprint 占用空间



AFTER-SALE SERVICE 售后服务	PACKAGING INFO 包装信息
-------------------------	---------------------

installation:	new machine installation free	packing material:	wood or plywood
	expenditures of way and accommodation paid by	package count:	
warranty:	1 year	Packing dimensions:	
	free spare parts offered during warranty	Volume:	
spare parts:	spare parts list offered.	gross weight:	
		net weight:	

ADDITIONAL COMMENTS&REMARK

*Payment terms: T/T 30% deposit in advance, balance 70% 3 days before shipment.
 *Agent policy: in some countries or areas, you can ask our agent for efficient service.